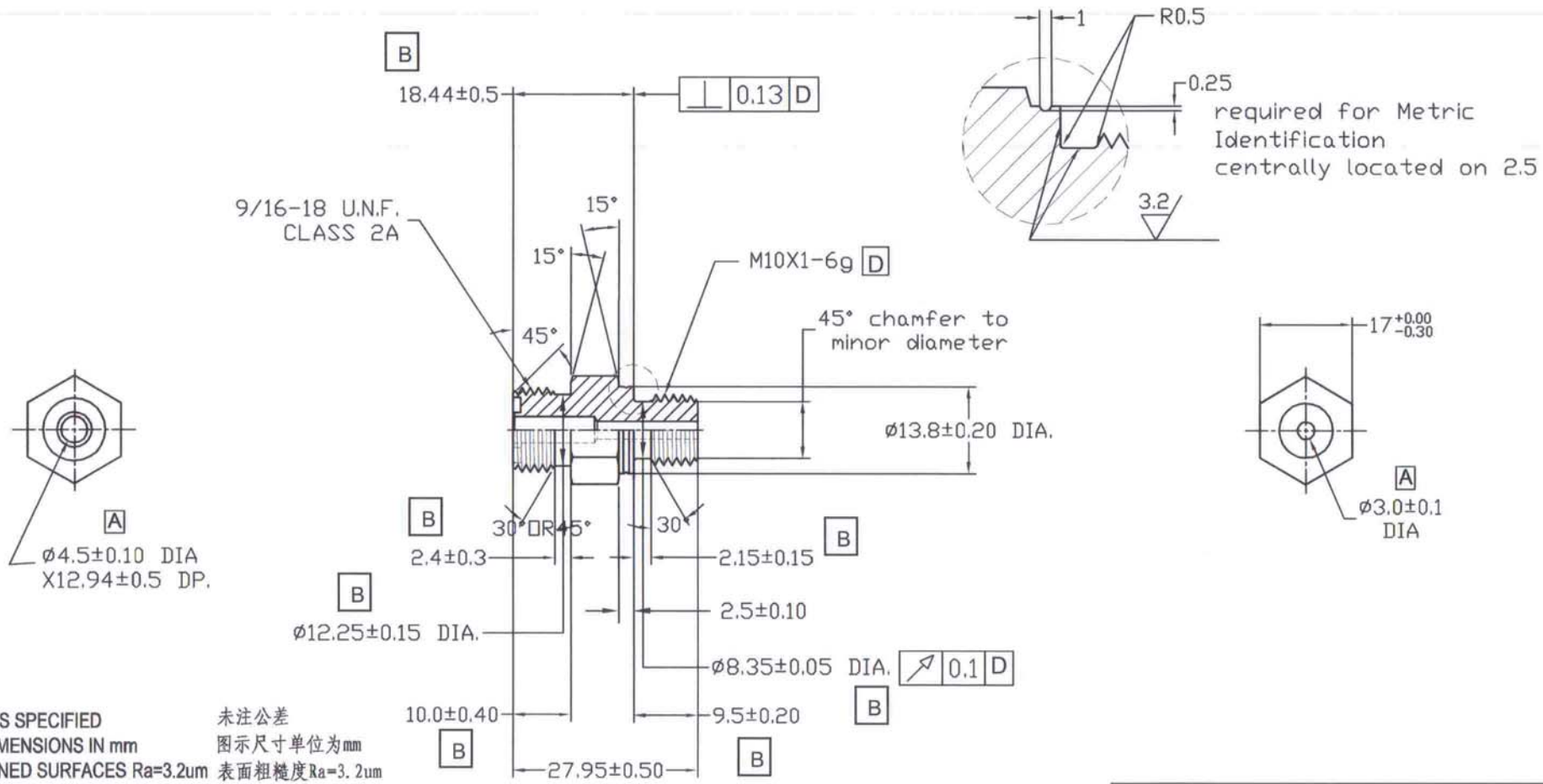


REV 更改号	DATE 日期	REVISION DETAILS 更改内容	APPD 审核并批准
A	2014.01.17	Chang Dia.4.0 to Dia.4.5 & Dia.3.0	Zhangjian
B	2014.1.17	Change dimensions as per SAE standard	Zhangjian



UNLESS SPECIFIED
ALL DIMENSIONS IN mm
MACHINED SURFACES Ra=3.2um
ANGLE TOLERANCES ±1°
DECIMAL TOLERANCES:
.x: ±0.5
.xx: ±0.25
.xxx: ±0.127

未注公差
图示尺寸单位为mm
表面粗糙度Ra=3.2um
角度公差 ±1°
小数部分公差:
.x: ±0.5
.xx: ±0.25
.xxx: ±0.127

HANGZHOU HI-TECH INDUSTRY IMP. & EXP. CORP.	
PART No 零件名	6400-4FS-M10
SCALE:	APPD: Zhangjian 批准
NTS	DRN: TangHailin 制图 DATE: 20/01/14 日期 CHK: LIJuBiao 审核

MATERIAL	Chinese steel 45
FINISH	Remove all sharp edges, burrs, slivers and swarf, break all edges 0.127-0.254mm. ZINC PLATED WITH TRIVALENT CHROMATE AND NO RED CORROSION IN 96 HOURS SALT SPRAY TEST.

去除所有毛刺, 铁屑等残留物, 锐边倒钝0.127-0.254mm.
镀三价铬, 银白色, 96小时盐雾试验无红斑.